

PRODUCT INFORMATION PACKET



Model No: SQ1072

Catalog No: SQ1072

Pool Pump Motor, 3/4 HP, 1 Ph, 60 Hz, 230/115 V, 3600 RPM, 48Y Frame, ODP



Regal and Century are trademarks of Regal Rexnord Corporation or one of its affiliated companies.

©2023 Regal Rexnord Corporation, All Rights Reserved. MC017097E





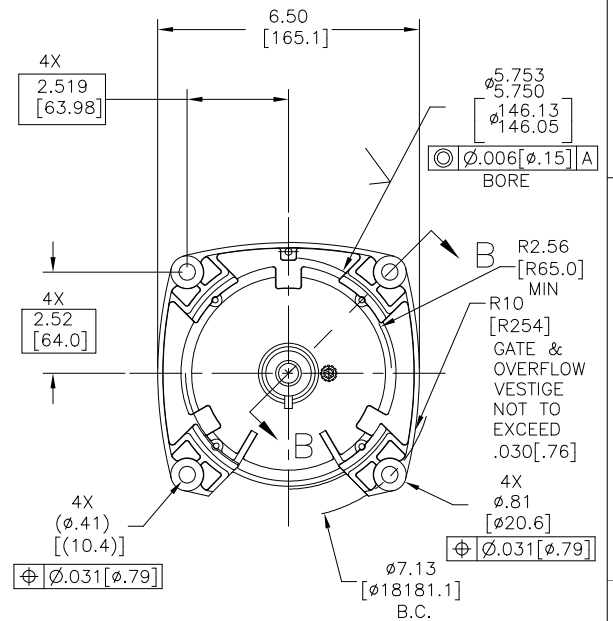
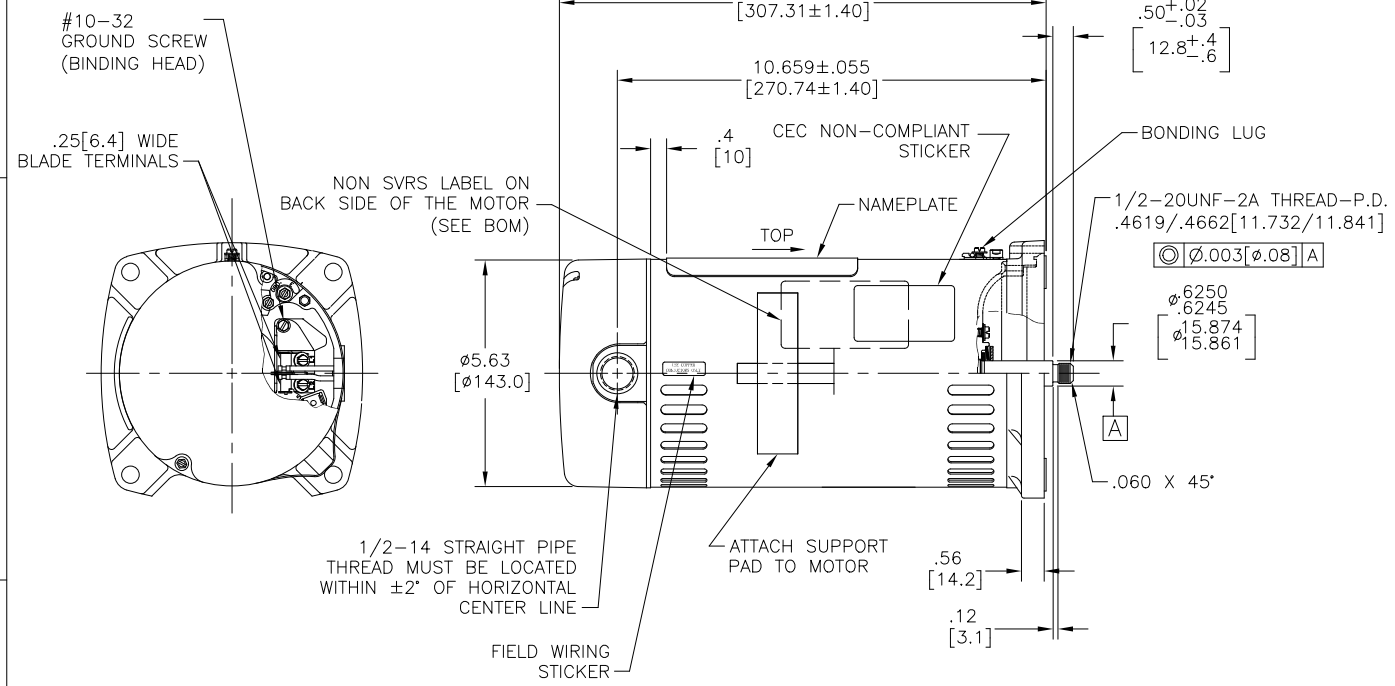
Nameplate Specifications

Phase	1	Output HP	3/4 Hp
Output KW	0.56 kW	Voltage	230/115 V
Speed	3450 rpm	Service Factor	1.65
Frame	48Y	Enclosure	Open Drip Proof
Thermal Protection	Automatic	Efficiency	65 %
Ambient Temperature	50 °C	Frequency	60 Hz
Current	7.6/15.3 A	Duty	Continuous
Insulation Class	B	UL	Recognized
CSA	Y	Number of Speeds	1

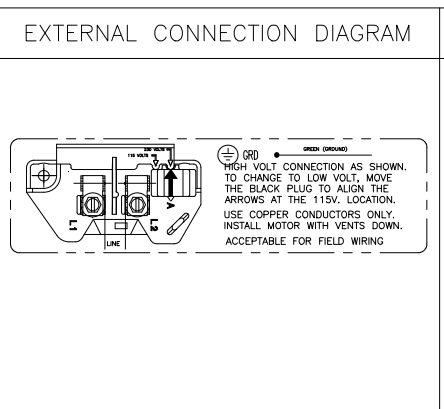
Technical Specifications

Electrical Type	Cap Start Motor	Starting Method	Across The Line
Poles	2	Rotation	Counterclockwise Pump End
Mounting	Round	Motor Orientation	Horizontal
Drive End Bearing	Ball	Opp Drive End Bearing	Ball
Frame Material	Rolled Steel	Shaft Type	1/2 Thread
Overall Length	12.82 in	Frame Length	8.94 in
Shaft Diameter	0.625 in	Shaft Extension	0.906 in
Outline Drawing	SQ1072	Connection Drawing	627103-006

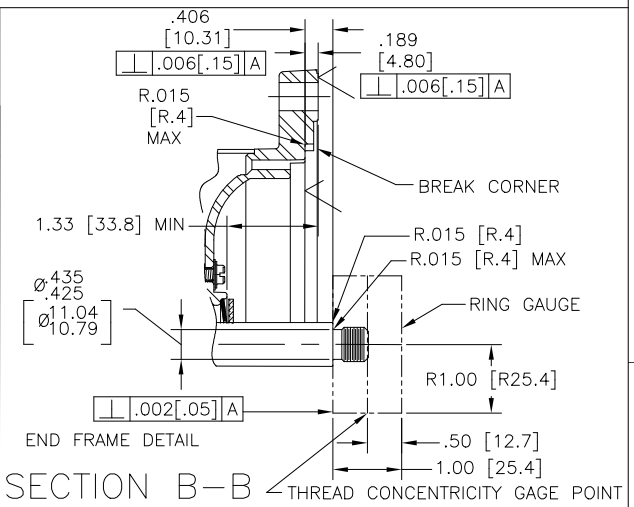
This is an uncontrolled document once printed or downloaded and is subject to change without notice. Date Created:05/27/2023



NAMEPLATE DATA	
MODEL: C48K2PA105C4	
CUST PN: SQ1072	
HP: 0.75	SF: 1.65
ROT: CCWPE	
RPM: 3450	
TYPE: UAC	CODE: L
FORM:	FRAME: 48 Y
VOLTS: 230/115	
AMPS:	
MAX AMPS: 7.6/15.3	
SF AMPS: 7.3/14.6	
PH: 1	HZ: 60
INS: B	AMB: 50°C
DUTY: CONT	
ENCLOSURE: ODP	
THERMALLY PROTECTED	



- NOTES
1. FINISH PAINT TO BE SATIN BLACK.
 2. .44[11.2] WRENCH FLATS ON SHAFT-FOR ACCESS TO THIS WRENCH FLAT REMOVE END COVER.
 3. STAINLESS STEEL SHAFT EXT.
 4. LIMITS ON AMPLITUDE OF VIBRATION MEASURED AT BEARING HOUSING = .001.
 5. CONNECTED FOR 230 VOLTS. QUICK VOLTAGE CHANGE DIAL INCLUDED ON THE TERMINAL BOARD.
 6. SUPPORT PAD TO BE PACKED WITH EACH MOTOR
 7. CTQ REQUIREMENT SEE EPO00105-008.
 8. RoHS & REACH ETC REQUIREMENT SEE EPO00014.



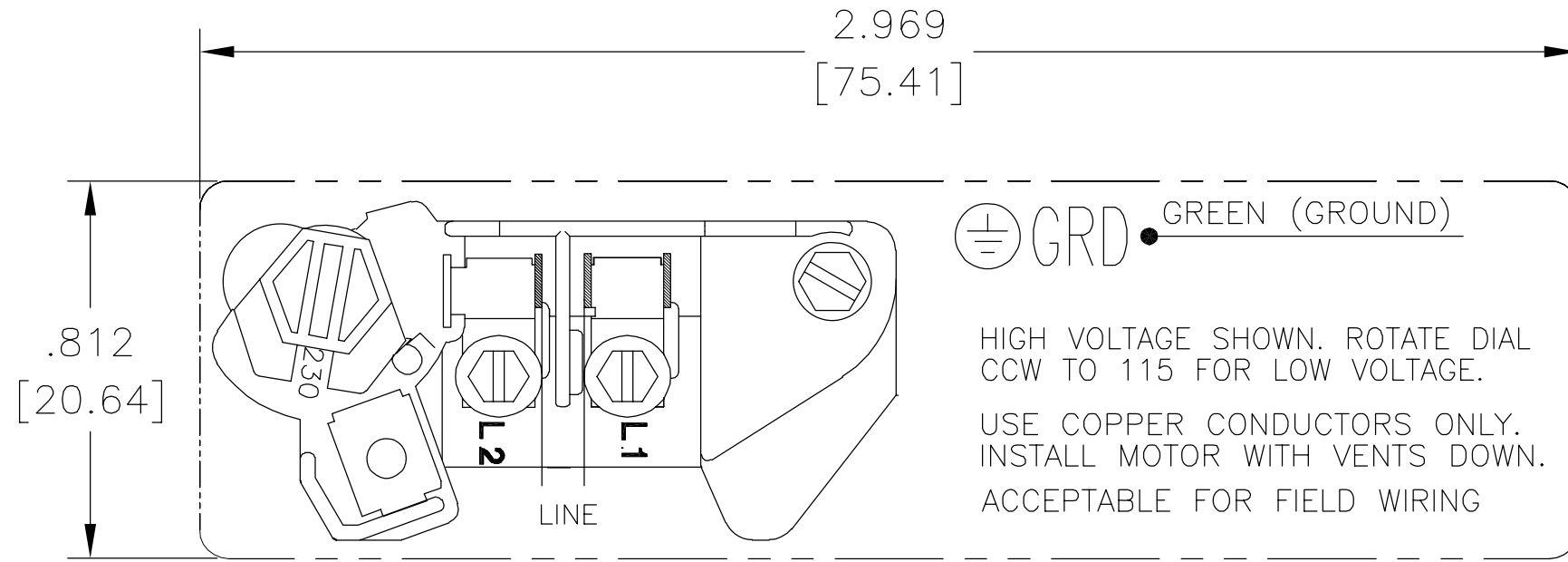
PERFORMANCE CURVE	APPROVED SAMPLE		
C48K2W52			
UL COMPONENT	CSA		
FILE#	CCN#	FILE#	GUIDE#
E25022	XEW2	LR43341	4211-01
CUSTOMER	DISTRIBUTION SERVICES		

CRITICAL TO QUALITY CHARACTERISTICS(CTQs)	DRAWING REVISION	REVISION BY	DATE
(P) PROCESS	T	JUDY ZHU	05-17-2023
(E) ENGINEERING	APPROVED BY	TRISTIA ZHAO	05-17-2023
(A) APPLICATION	ECO DESCRIPTION	ADD "SEE BOM" FOR NON SVRS LABEL NOTE	
(R) REGULATORY	COPYRIGHT REGAL BELTO AMERICA, INC. ALL RIGHTS RESERVED. PROPRIETARY AND CONFIDENTIAL INFORMATION - THIS DOCUMENT IS THE PROPERTY OF REGAL BELTO AMERICA, INC. (OWNER) AND COMPANY OWNER'S PROPRIETARY INFORMATION. ANY REPRODUCTION OR OTHER FORM RECEIVING IT IS DENIED. BY RECEIVING IT, TO AGREE THAT IT, AND/OR ANY PART OF IT, SHALL NOT BE DISCLOSED TO ANY PERSON, CORPORATION OR OTHER ENTITY, DUPLICATED, AND/OR USED, EXCEPT AS EXPRESSLY APPROVED IN WRITING IN ADVANCE BY OWNER. THIS DOCUMENT SHALL BE RETURNED TO OWNER UPON REQUEST. IT MAY BE SUBJECT TO CERTAIN RESTRICTIONS UNDER APPLICABLE EXPORT CONTROL LAWS AND REGULATIONS.		
(L) LIFE			

TOLERANCES UNLESS OTHERWISE SPECIFIED	DEC.	INCH	MM	ANGLE
.XX	±0.02	(±0.5)		±0.5°
.XXX	±0.005	(±0.13)		
.XXXX	±0.0005	(±0.013)		
	REMOVE BURRS & BREAK SHARP EDGES .003/.015 (.08.38)			
	CORNER FILLETS .02 (.5)			
	MACHINED SURFACES	125	mm ^{3/2}	
	mm SHOWN IN [BRACKETS]			

DRAWN BY:	JLJC	DATE:	05-12-2009	APPROVED BY:		DESCRIPTION:	MODEL-PFHP-48FR OUTLINE
REFERENCE:		MATERIAL:		PROCESS/FINISH:		SIZE:	DWG NO: SQ1072
THIRD ANGLE PROJECTION:		SIZE:	C	DWG NO:	SQ1072	SHEET:	1

REV	ECO	REV BY	DATE	APPD	DATE
B	0001487	D.MUÑOZ	04-13-2009	M.ARGUELLES	04-13-2009



DUAL VOLTAGE

NOTE:

1. FOR USE WITH 616231 NAME PLATE BLANK.
2. — — — — — INDICATES DIMENSIONAL LIMITS.
3. DIE MUST PRODUCE A LEGIBLE IMPRESSION.

GEOMETRIC CHARACTERISTICS & SYMBOLS

- ▭ FLATNESS
- STRAIGHTNESS
- ∠ ANGULARITY
- ⊥ PERPENDICULARITY (SQUARENESS)
- // PARALLELISM
- ROUNDNESS (CIRCULARITY)
- ⊘ CYLINDRICITY
- △ PROFILE OF ANY SURFACE
- ⌒ PROFILE OF ANY LINE
- ↑ RUNOUT
- ⊕ TRUE POSITION
- ◎ CONCENTRICITY
- ⊖ SYMMETRY

UNLESS OTHERWISE SPECIFIED
DIM. TOLERANCES ARE AS FOLLOWS:

INCH	±.1	±.02	±.005	±.0005
mm	±0.5	±0.13	±0.013	

ANG. ±.50 DEG

REMOVE BURRS & BREAK SHARP EDGES:

INCH	.003-.015	mm	0.1-0.4
------	-----------	----	---------

CORNER FILLETS TO:

INCH	.020	mm	0.5
------	------	----	-----

MACHINE SURFACES:

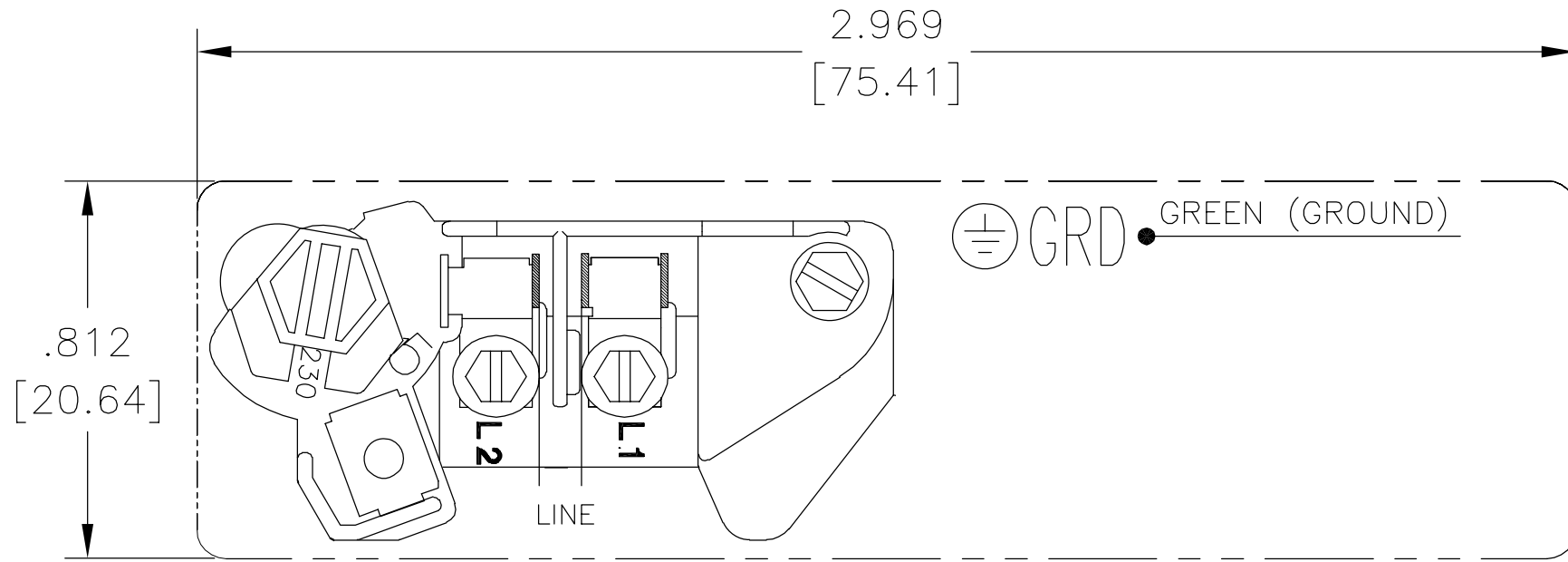
INCH	125	mm	3.2
------	-----	----	-----

METRIC DIMS. SHOWN IN [BRACKETS]

DR BY:	Daniel Muñoz	04-13-2009
APPD:		
THIRD ANGLE PROJECTION		EDS DATE 02-22-2009 FORMAT REV F
CONFIDENTIAL: THIS DRAWING AND ITS INFORMATION ARE THE EXCLUSIVE AND CONFIDENTIAL PROPERTY OF A.O. SMITH CORP. AND ARE NOT TO BE DISCLOSED, DUPLICATED, DISTRIBUTED OR OTHERWISE USED WITHOUT THE WRITTEN CONSENT OF A.O. SMITH CORP. -ALL RIGHTS RESERVED. ASME Y14.5M 1994		

		ELECTRICAL PRODUCTS COMPANY <small>A DIVISION OF A. O. SMITH CORPORATION</small>	
DESCRIPTION CONNECTION DIAGRAM EXTERNAL			
SIZE A	DWG NO 627103-006		
SCALE NONE			SHEET 1

REVISION:	ECO	REVISADO POR:	FECHA:	APROBADO POR:	FECHA:
B	0001487	D.MUÑOZ	04-13-2009	M.ARGUELLES	04-13-2009



VOLTAJE DOBLE

NOTAS:

1. PARA USARSE CON LA PLACA DE DATOS EN BLANCO 616231.
2. — — — — INDICA LIMITES DIMENSIONALES.
3. EL DADO DEBE PRODUCIR UNA IMPRESION LEGIBLE.

CARACTERISTICAS DE GEOMETRIA Y SIMBOLOS

- ▭ PLANICIDAD
- RECTITUD
- ∠ ANGULARIDAD
- ⊥ PERPENDICULARIDAD (A ESCUADRA)
- // PARALELISMO
- REDONDEZ (CIRCULARIDAD)
- ⊘ CILINDRICIDAD
- △ PERFIL DE CUALQUIER SUPERFICIE
- ∩ PERFIL DE CUALQUIER LINEA
- ↑ VARIACION
- ⊕ POSICION REAL
- ◎ CONCENTRICIDAD
- ≡ SIMETRIA

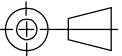
A MENOS QUE SE ESPECIFIQUE DE OTRA MANERA, LAS TOLERANCIAS DE LAS DIMS; SON LAS SIGUIENTES:


	X	XX	XXX	XXXX
PULG	±.1	±.02	±.005	±.0005
mm	±0.5	±0.13	±0.013	

ANG. ±.50 GRADOS
ELIMINAR REBABAS Y ORILLAS FILOSAS DEL BORDE.

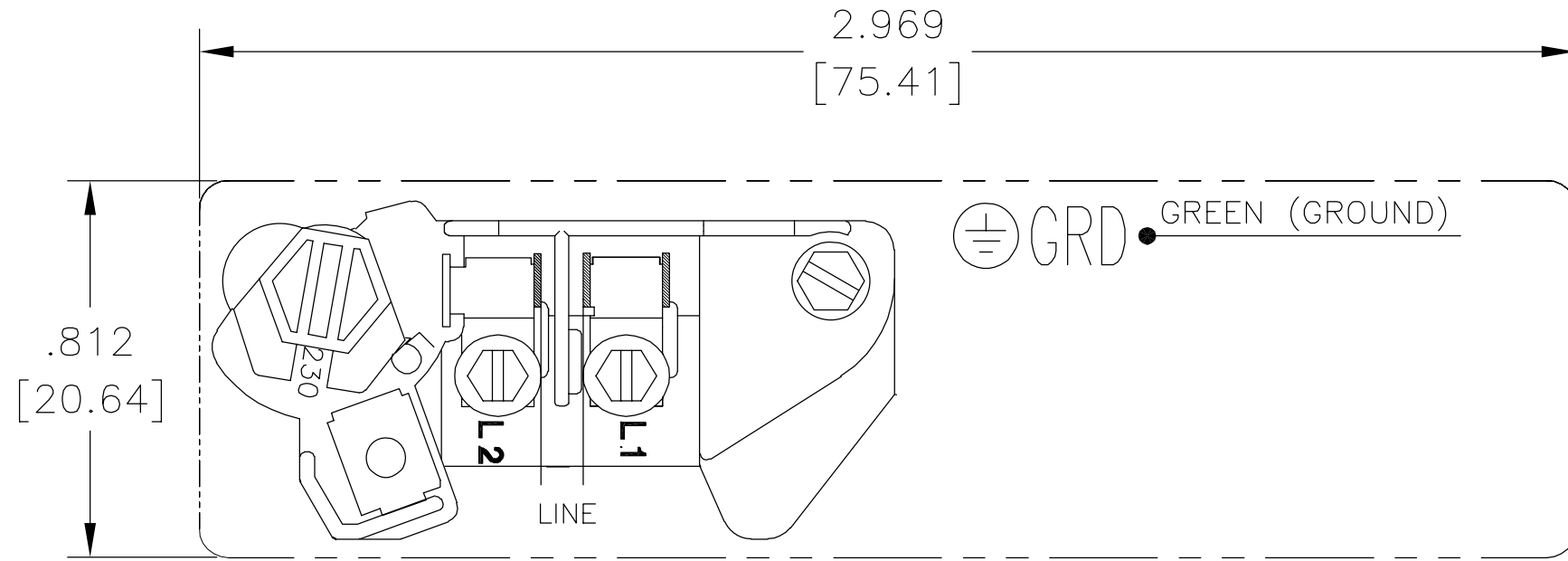
PULG .003-.015 mm 0.1-0.4
FILETEAR ESQUINA: PULG .020 mm 0.5
MAQUINAR SUPERFICIES
PULG 125 mm 3.2

DIMS METRICAS MOSTRADAS [PARENTESIS]

DIBUJADO POR: Daniel Muñoz	04-13-2009
APROBADO POR:	
TERCER ANGULO DE PROYECCION	
FECHA EDS: 02-22-2009	REV. FORMATO: F
CONFIDENCIAL: ESTE DIBUJO Y SU INFORMACION SON PROPIEDAD DE USO EXCLUSIVO Y CONFIDENCIAL DE A.O.SMITH CORP. Y NO DEBERAN SER REVELADOS, DUPLICADOS, DISTRIBUIDOS O USARSE DE OTRA MANERA SIN EL CONSENTIMIENTO ESCRITO DE A.O. SMITH CORP. -TODOS LOS DERECHOS RESERVADOS.ASME Y14.5M 1994	

 ELECTRICAL PRODUCTS COMPANY <small>A DIVISION OF A. O. SMITH CORPORATION</small>	
DESCRIPCION: CONNECTION DIAGRAM EXTERNAL	
TAMAÑO: A	NUMERO DE DIBUJO: 627103-006
ESCALA:NONE	HOJA: 1

版本	ECO	编制	日期	批准	日期
B	0001487	D.MUÑOZ	04-13-2009	M.ARGUELLES	04-13-2009



- 形位公差
- 平面度
- 直线度
- ∠ 倾斜度
- ⊥ 垂直度
- // 平行度
- 圆度
- ⊘ 圆柱度
- ⌒ 面轮廓度
- ⌒ 线轮廓度
- ↗ 圆跳动
- ⊕ 位置度
- ◎ 同轴度
- ≡ 对称度

除另有注明
尺寸公差如下:

	X	XX	XXX	XXXX
英寸	±.1	±.02	±.005	±.0005
毫米	±0.5	±0.13	±0.013	
角度	±.50 度			
清理毛刺和尖棱				
英寸	.003-.015	毫米	0.1-0.4	
内圆角				
英寸	.020	毫米	0.5	
表面粗糙度				
英制	125	米制	3.2	

米制尺寸显示在 []

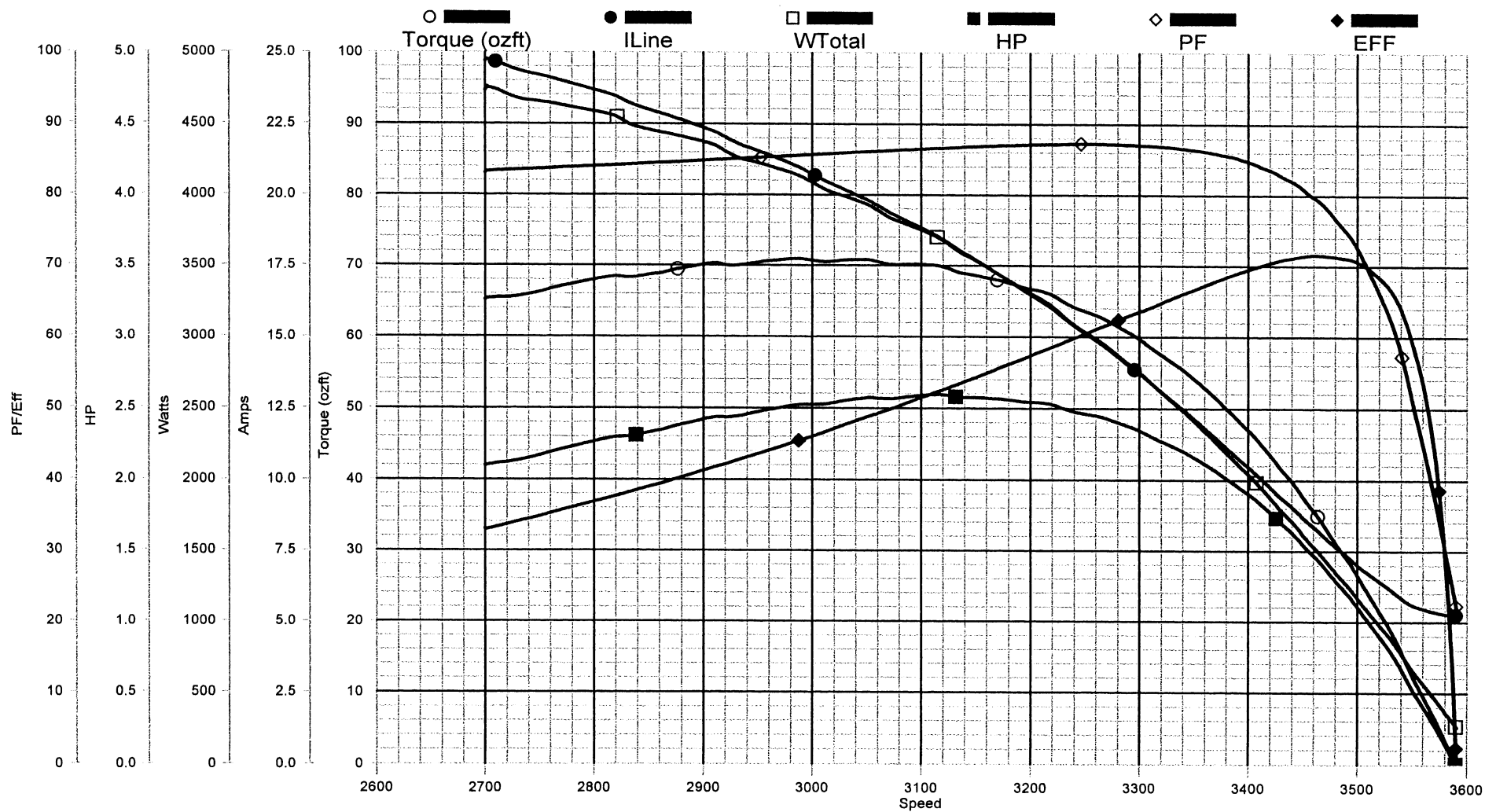
绘图:	Daniel Muñoz	04-13-2009
批准:		
第三角投影		图纸格式发布日期 02-22-2009 图纸格式版本 F
机密: 本图纸及相关信息所有权归A. O. SMITH公司所有。未经A. O. SMITH公司书面授权, 不得泄露、复制、传播或作其他用途。—版权所有		
ASME Y14.5M 1994		

		ELECTRICAL PRODUCTS COMPANY <small>A DIVISION OF A. O. SMITH CORPORATION</small>	
名称		CONNECTION DIAGRAM EXTERNAL	
图幅	A	图号	627103-006
比例	NONE	页号	1

AO Smith

Performance Down Project: 0441294 (High Speed)

Wednesday, March 24, 2004 12:57 AM



TRACKING #: 10023034
 SBU: Pump
 ENGINEER: DWAYNE FOX
 TECHNICIAN: DAN
 BENCH: 2
 TORQUE CELL: 350 lb-in
 NP RPM: 3450
 # SPEEDS: 1
 MOTOR #: 1
 TYPE: C

CUSTOMER:
 MODEL:
 FRAME: 48Y
 PHASES: 1
 HP: 1.00
 VOLTS: 230.0
 HERTZ: 60
 START CAP: 161.00
 RUN CAP: 0.00
 COMMENT3:

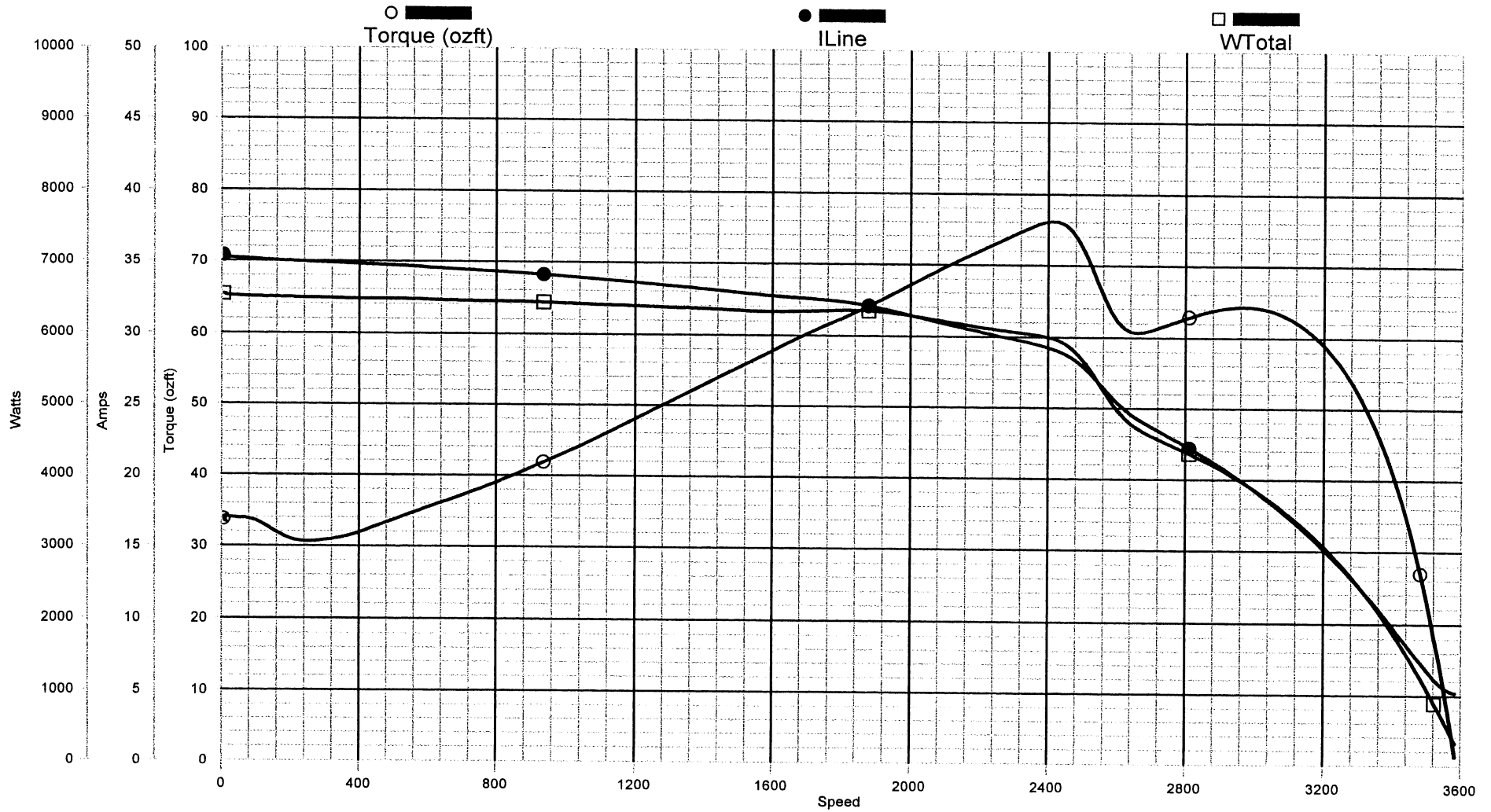
LOCK AMPS: 37.5A
 LOCK TORQUE: 34.5 oz-ft
 BREAKDOWN
 TORQUE: 70.8 oz-ft

DESCRIPTION: OFFSET
 BDT: 70.83
 MT: 70.93
 SF: 37.50
 LRT: 0.00
 LRA: 0.00
 PUT: 0.00
 COMMENT1:
 COMMENT2:
 COMMENT4:

AO Smith

Performance Up Project: 0441294 (High Speed)

Wednesday, March 24, 2004 01:01 AM



TRACKING #: 10023034
 SBU: Pump
 ENGINEER: DWAYNE FOX
 TECHNICIAN: DAN
 BENCH: 2
 TORQUE CELL: 350 lb-in
 NP RPM: 3450
 # SPEEDS: 1
 MOTOR #: 1
 TYPE: C

CUSTOMER:
 MODEL:
 FRAME: 48Y
 PHASES: 1
 HP: 1.00
 VOLTS: 230.0
 HERTZ: 60
 START CAP: 161.00
 RUN CAP: 0.00
 COMMENT3:

DESCRIPTION: 0-SYNC
 BDT: 64.32
 MT: 76.15
 SF: 37.50
 LRT: 34.12
 LRA: 35.38
 PUT: 30.64
 COMMENT1:
 COMMENT2:
 COMMENT4: